

The real danger for fashion items are illegal magnets in fitting rooms where no-one can see



Apparelguard

secure your products in fittingrooms

official partner with

AlertSystems™



In fashion stores, fitting rooms are great places for experienced shoplifters to steal goods and it is hard for store staff to discover attempts in time.

A magnet can be used as an illegal detacher. Shoplifting with illegal detachers has become a massive challenge for the retail industry. Many retailers find removed tags in fitting rooms. Illegal detachers can easily be bought online, and afterwards brought to retail stores and used to remove the tags. Traditional EAS antennas are unable to detect magnets and other tools at entrances, so shoplifters confidently enter the store and take the desired good to the fitting rooms.

The biggest benefit of using illegal detachers for shoplifting is that anybody can buy the illegal detachers from online sources and even simple and powerful magnets can be used as detachers - it does not need to be a traditional tag re-

mover magnet. It only takes seconds to remove the tags and walk out of the shop without being detected. Removing the traces is unnecessary most of the time due to the high number of visitors throughout the day. If needed, shoplifters just simply attach removed tags to other products. Installing the Apparelguard in the fitting rooms will give the store personnel alerts when illegal detachers are brought to the fitting room area.

How does it work?

One Apparelguard per fitting room can prevent attempts

Apparelguard is installed in fitting rooms and is detecting illegal magnets and any movements related to magnet use. It uses double detection and provides exceptional accuracy that is required for such a task. It has a common solution with Hyperguard and Metalguard.

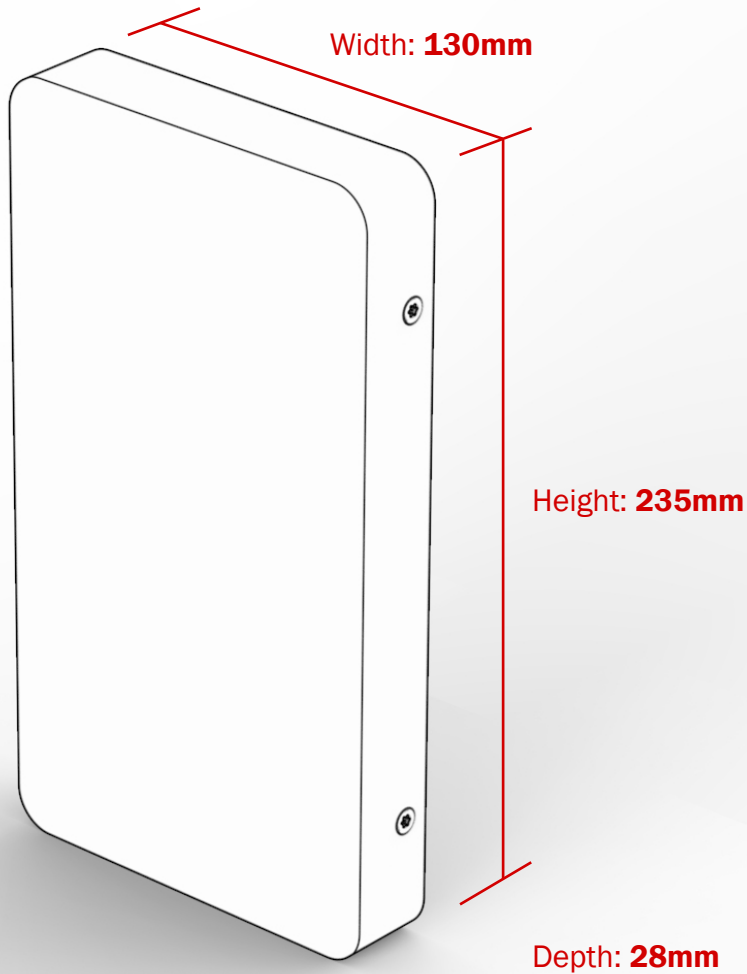
Installation requirements: Cat5e cables run from one controller box, up to 11 units can be operated by a single CU.

Maximum detection distance: 1.4m / unit. Units operate in Tx / Rx logic.

Output: 3 dry relay contacts as alarm outputs, such as: light, sound, pager or CCTV; or push the alarms to EAS controllers using API.


- ✓ Magnet detection
- ✓ Adjustable sensitivity
- ✓ Small controller box
- ✓ Multiple unit power-up
- ✓ CE / UL / cUL / FCC / IC approved





metalguard | hyperguard | apparelguard

All 3 products utilizes same software and hardware technology platform.
This means that both controllers and antennas are very similar, and all products are CE, UL, FCC, IC.



	metalguard	hyperguard	apparelguard
Metal detection	✓	✓	
Door filter (patented)	✓	✓	
Trolley filter (patented)		✓	
Magnet detection (patented)			✓
Cat5e cables included	✓	✓	
Adjustable software	✓	✓	✓
RF integration	✓	✓	
Controller box	✓	✓	✓
11 unit power-up with one CB	✓	✓	✓
API for EAS antennas	✓	✓	✓
CE, UL, FCC, IC.	✓	✓	✓
RF & AM compatible	✓	✓	✓

Main units

Part #	Description
P0201060	Apparelguard V4 antenna
P0201061	Apparelguard V4 antenna pcb (Repair unit)

Buzzers

Part #	Description
P0201062	Buzzer 100-240V EU
P0201063	Buzzer 100-240V US

Flash lights

Part #	Description
P0201064	Flash light 100-240V EU
P0201065	Flash light 100-240V US

Controllers

Part #	Description
P0201066	Hyperguard / Apparelguard V4 Controller EU
P0201067	Hyperguard / Apparelguard V4 Controller EU (incl pager)
P0201068	Hyperguard / Apparelguard V4 Controller pcb (repair unit)
P0201069	Hyperguard / Apparelguard V4 Controller US
P0201070	Hyperguard / Apparelguard V4 Controller US (incl pager)

Testbags (booster bags)

Part #	Description
P0201097	Testbag Large (Boosterbag)
P0201098	Testbag Medium (Boosterbag)

Pagers and accessories

Part #	Description
P0201086	Pager extra receiver EU
P0201087	Pager extra receiver w/display EU
P0201088	Pager extra receiver w/display US
P0201089	Pager system EU
P0201090	Pager system w/display EU
P0201091	Pager system w/display USB (433/EU model)
P0201092	Pager system w/display USB (915/US model)
P0201093	Pager transmitter/repeater EU
P0201094	Pager transmitter/repeater US